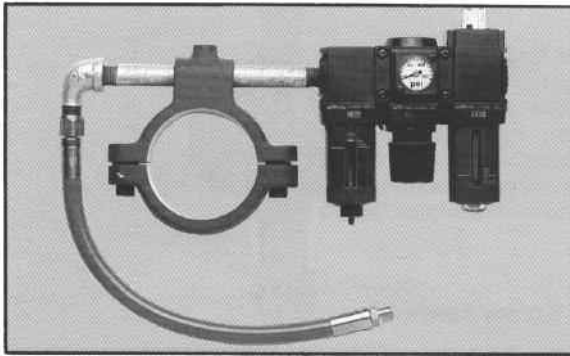


Designers & Manufacturers of Drilling & Tapping Solutions

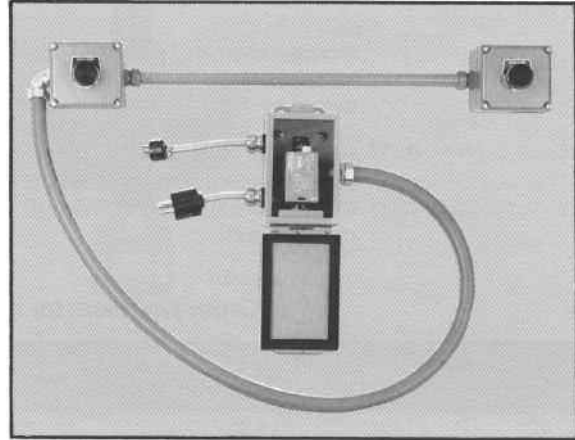
Machine Controls



AIR CONTROL ASSEMBLY

Includes air regulator, gauge, filter, lubricator, 2-piece clamp to fit machine column, air line and fittings. Also available as accessory for Drill Presses with column diameters of (2 3/4" to 4") as listed below.

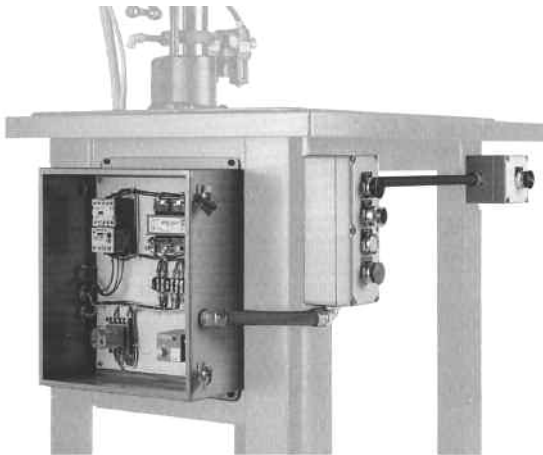
MODEL	COLUMN DIA.	SERIES ORDER NUMBER
1000A or 3000A	3"	57520
1A03 or 3A03	2 3/4"	57501
1A03 or 3A03	3"	57503
1A03 or 3A03	3 1/2"	57505
1A03 or 3A03	3 3/4"	57507
1A03 or 3A03	4"	57509



1-AL & 3-AL DUAL PALM BUTTONS

Converts 21000 Series and 23000 series to two-hand operation. Requires operator to use both hands to actuate cycle. Anti-tiedown feature. **Optional accessory.**

Series order number 57530



COMPLETE ELECTRICAL PACKAGE

For Styles 1000A, 3000A and 3037 includes anti-tiedown dual palm push button controls in an oil-tight housing mounted to machine table. Has illuminated "power on" motor start button, emergency shut-off, 230/460V to 110V transformer for controls, magnetic motor starter with overloads, machine tools control relay and fuse. **Furnished as standard equipment on all complete machines.**

Series order number 57525



INTERLOCK SWITCH

For use when automating a lead screw taper in conjunction with a turn table or part feeding mechanism which requires an electrical signal after completion of a cycle. Also is used to control mist coolant systems. Assembly is furnished complete with switch, actuating arm with adjustable actuator, screws and nuts. **Optional accessory.**

MODEL	SERIES ORDER NUMBER
1-AL	57535
3-AL	57537