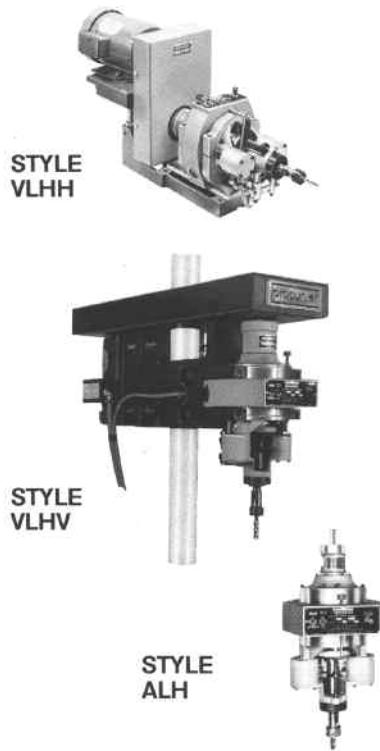


Designers & Manufacturers of Drilling & Tapping Solutions

Self-Contained Tapping Units-Series 29000

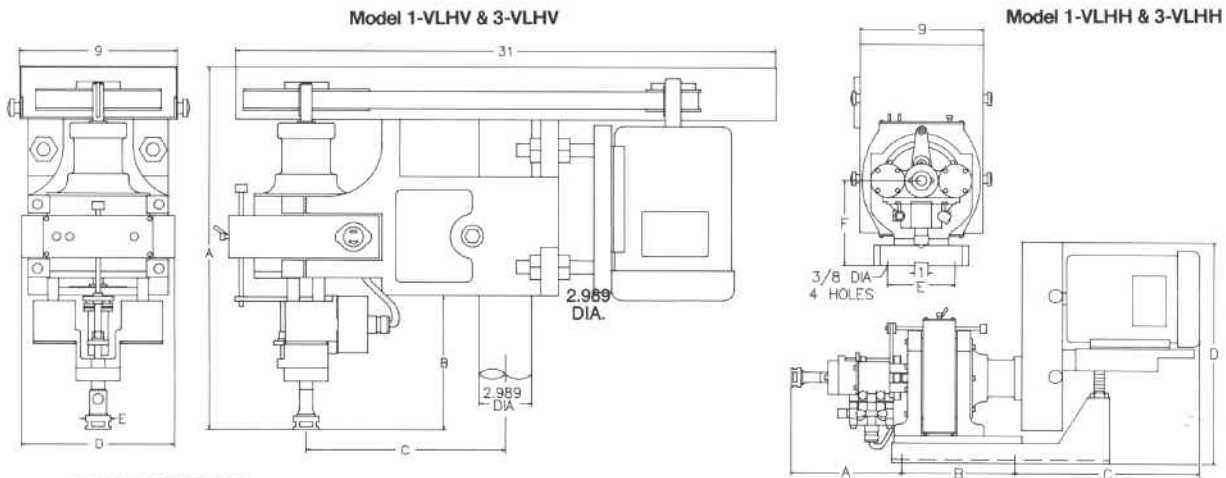


Order Numbers for Style VLHH, VLHV and ALH Tappers				
Models with Motor				
Model	HP	RPM	Series Order Number	
			115/230-1-60	230/460-3-60
1-VLHH	1/2	3-speed V-belt 578-1035-1725	29011	29012
3-VLHH	1 1/2	800 thru 1200*	—	29031
3-VLHH	1 1/2	450 thru 750*	—	29032
3-VLHH	1 1/2	280 thru 400*	—	29033
1-VLHV	1/2	3-speed V-belt 578-1035-1725	29015	29016
3-VLHV	1 1/2	800 thru 1200*	—	29035
3-VLHV	1 1/2	450 thru 750*	—	29036
3-VLHV	1 1/2	280 thru 400*	—	29037

For LEFT HAND operation, the unit must be modified. Series Order Number 57550. (Use left hand Lead Screw.)
*Select single speed within range. uses gear belt and pulley.

Tapping Head Only	
Model	Series Order Number
1-ALH (with 5/8" dia. pulley shaft)	29010
3-ALH (with 5/8" dia. pulley shaft)	29030

All taper controls are 115V, 1PH, 60HZ. Lower voltages available upon request.
Air controls are required.
Order lead screw assemblies separately. Models 1-ALH, 1-VLHH and 1-VLHV use style 1-AL (21000 Series) and models 3-ALH, 3-VLHH and 3-VLHV use style 3-AL (23000 Series).



DIMENSIONS

SERIES	STYLE	A	B	C	D	E	SERIES	STYLE	A	B MTG.	C	D	E MTG.	F
29015	1-VLHV	15 ⁹ / ₁₆	6	11 ³ / ₈	6 ¹ / ₄	3 ³ / ₄	29011	1-VLHH	5 ¹ / ₈	5 ⁷ / ₈	13	16	5	6
29016	1-VLHV	15 ⁹ / ₁₆	6	11 ³ / ₈	6 ¹ / ₄	3 ³ / ₄	29012	1-VLHH	5 ¹ / ₈	5 ⁷ / ₈	13	16	5	6
29035	3-VLHV	21	8	11 ⁵ / ₁₆	8 ³ / ₄	1 ³ / ₈	29031	3-VLHH	8 ¹ / ₂	8 ³ / ₈	13	16 ³ / ₈	5	6 ⁵ / ₁₆
29036	3-VLHV	21	8	11 ⁵ / ₁₆	8 ³ / ₄	1 ³ / ₈	29032	3-VLHH	8 ¹ / ₂	8 ³ / ₈	13	16 ³ / ₈	5	6 ⁵ / ₁₆
29037	3-VLHV	21	8	11 ⁵ / ₁₆	8 ³ / ₄	1 ³ / ₈	29033	3-VLHH	8 ¹ / ₂	8 ³ / ₈	14	17 ¹ / ₄	5	6 ⁵ / ₁₆



3445 Lonergan Drive, Rockford, IL 61125 • Tel: 815/874-9421 Fax: 815/874-9425 • www.rockford-ettco.com
304 Winston Creek Parkway, Lakeland, FL 33810 • Tel: 863/688-0071 Fax: 863/682-6233 • www.procunier.com

Rockford-Ettco reserves the right to modify product design in the interest of improving quality.

© 2007 Rockford-Ettco

Form REP071-7-4