

Designers & Manufacturers of Drilling & Tapping Solutions

Style VLHH & VLHV Self-Contained Tapping Units-Series 29000

- Complete unit utilizing standard motors, gear belt drive or 3 step pulley.
- Lead screw operation for perfect tapping every time.
- Easy adaptable to special set-ups.
- Reverses at twice forward speed to increase productivity 33% and avoid tap jamming.

These high speed self-contained "package" units give you production precision tapping. And they offer something style SLH doesn't – single speed gear belt drives or 3 speed V-belt drives that provide varying speeds for different conditions.

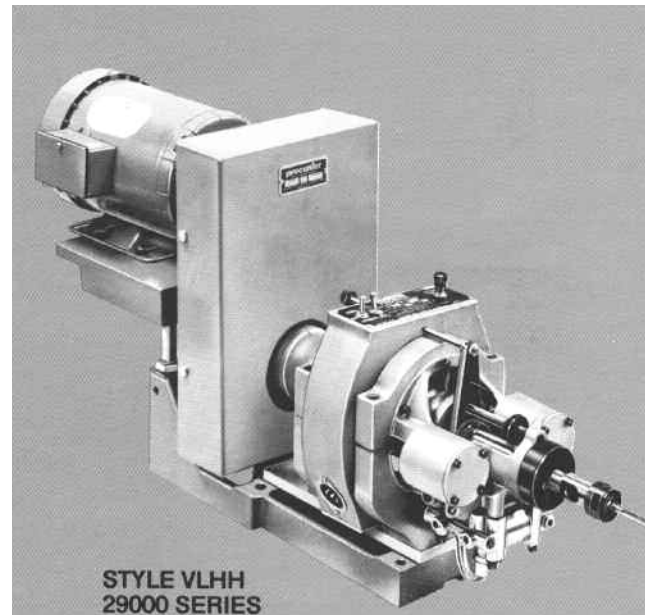
Because they're self-contained, they can be set up just about anywhere, do the job quickly and well, and be easily moved. These versatile and flexible units can be adapted for use with an existing machine or used for secondary operations on a production machine, tool.

But no matter how you use them, all of our units use the exclusive Procunier lead screw tapping head, recognized throughout industry as the most reliable and precise tapping head made. The lead screw, turning in the stationary lead screw nut, feeds the tap at exactly the proper rate through a smooth, sensitive friction clutch. The tap is fed into the work gently, automatically, with a minimum of air pressure. The results – always the same – precisely tapped, perfect parts again and again.

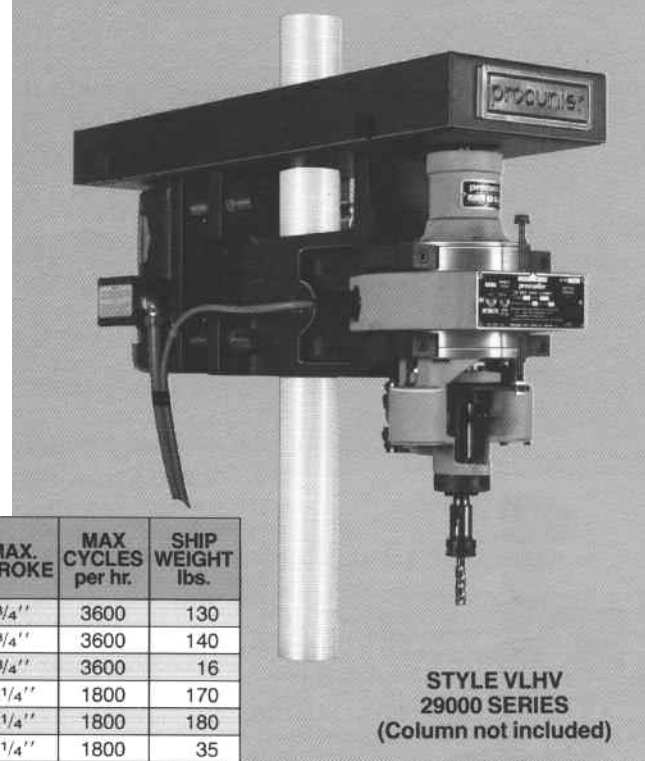
Built-in controls provide for just about any operation you want, whether it's single cycle, jog or automatic operation.

STANDARD EQUIPMENT

All styles furnished with grounded tapper power cord, air line with fittings, foot control grounded cord and switch, wrenches. Controls, column, raising mechanism, flange and power lines for motor not included. Models 1-VLHH, 1-VLHV and 1-ALH, use #1 collets (51800 Series) and models 3-VLHH, 3-VLHV and 3-ALH use #3 collets (53800 Series).



STYLE VLHH
29000 SERIES



STYLE VLHV
29000 SERIES
(Column not included)

STYLE	CAPACITY					MAX. STROKE	MAX. CYCLES per hr.	SHIP WEIGHT lbs.
	SOFT MATERIAL			STEEL INCH	STEEL MM			
	INCH	MM	PIPE					
1-VLHH	#0-1/4"	M2-M6	—	#0-#10	M2-M5	3/4"	3600	130
1-VLHV	#0-1/4"	M2-M6	—	#0-#10	M2-M5	3/4"	3600	140
1-ALH	#0-1/4"	M2-M6	—	#0-#10	M2-M5	3/4"	3600	16
3-VLHH	#10-3/4"	M5-M18	*3/8"	#10-1/2"	M5-M12	2 1/4"	1800	170
3-VLHV	#10-3/4"	M5-M18	*3/8"	#10-1/2"	M5-M12	2 1/4"	1800	180
3-ALH	#10-3/4"	M5-M18	*3/8"	#10-1/2"	M5-M12	2 1/4"	1800	35

*For 3/8" Pipe tap use #3-AL4TG lead screw assembly (24000 Series) and use #4 collets (54000 Series).